

Cleanline
ServiceLine & Ultraline



Chemistry and machine solutions

Contents

Cleanline P60 - P80	3
Cleanline P100 - P120	5
Cleanline T100 - T120	9
Cleanline 2 Trins U80 2B - U100 2B - U120 2B	13
Water-based degreasing	18



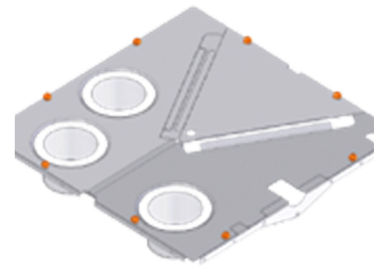
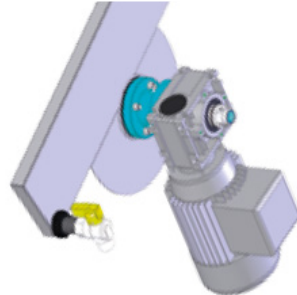
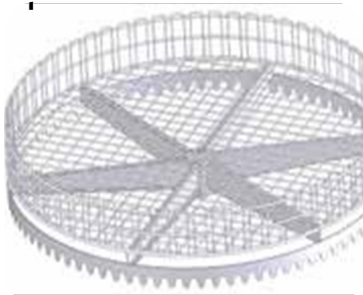
You have the items - PERS GROUP have the solutions

Cleanline P60/80

Cleanline P60 and P80 is a system for automatic washing of mechanical parts.
 The washing is carried out by the action of upper, lower and side jets.
 Basket rotates through a gear motor. The board is electromechanical.
 Operators can set the tank liquid temperature as well as the length of the treatment cycle



Technical Data	P 60	P 80
Basket capacity	100 kg	100 kg
Opened machine dimensions (LxBxH)	92 x 86 x 153 cm	112 x 105 x 185 cm
Washing capacity (ØxH)	58 x 38 cm	78 x 43 cm
Tank capacity	60 L.	130 L.
Washing pump	0,55 kW 2,5 bar 120 l./min.	0,55 kW 2,5 bar 120 L./min.
Washing heating	4,0 kW	4,0 kW
Mechanical rotation	0,09 kW	0,09 kW
Oli skimmer	0,09 kW	0,09 kW
Weight	85 kg	96 kg.
Connections	3x380 V, 6 bar	3x380 V, 6 bar
Steam drain outlet	Ø 50 mm.	Ø 50 mm.



Equipment

Included in all Cleanline P 60 og 80 machines

- Electromechanical control board
- Mechanical rotation of the basket by a gear motor
- Reinforced basket in electrowelded net with external edge of galvanized steel
- Tank minimum level control for the protection of pump and resistor
- Electric pump in stainless steel AISI 304 with special Gaskets
- Filter in stainless steel AISI 304 on the pump suction
- Tank edge Gasket
- Electrical box of painted metal
- Safety limit switch on the cover opening
- Structure and plates in stainless steel
- Liquid heating with electric resistor in stainless steel
- Laser-drilled washing pipes in stainless steel (more pressure, less maintenance)
- Flexible suction and pump delivery pipes (easy maintenance)

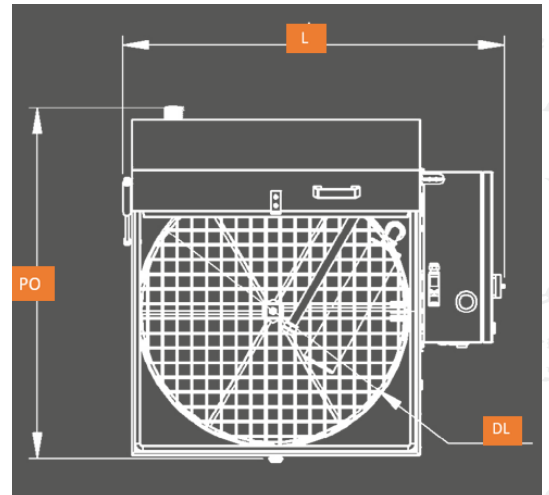
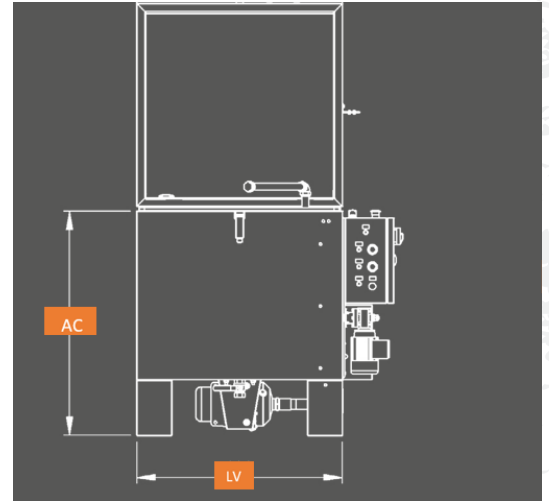
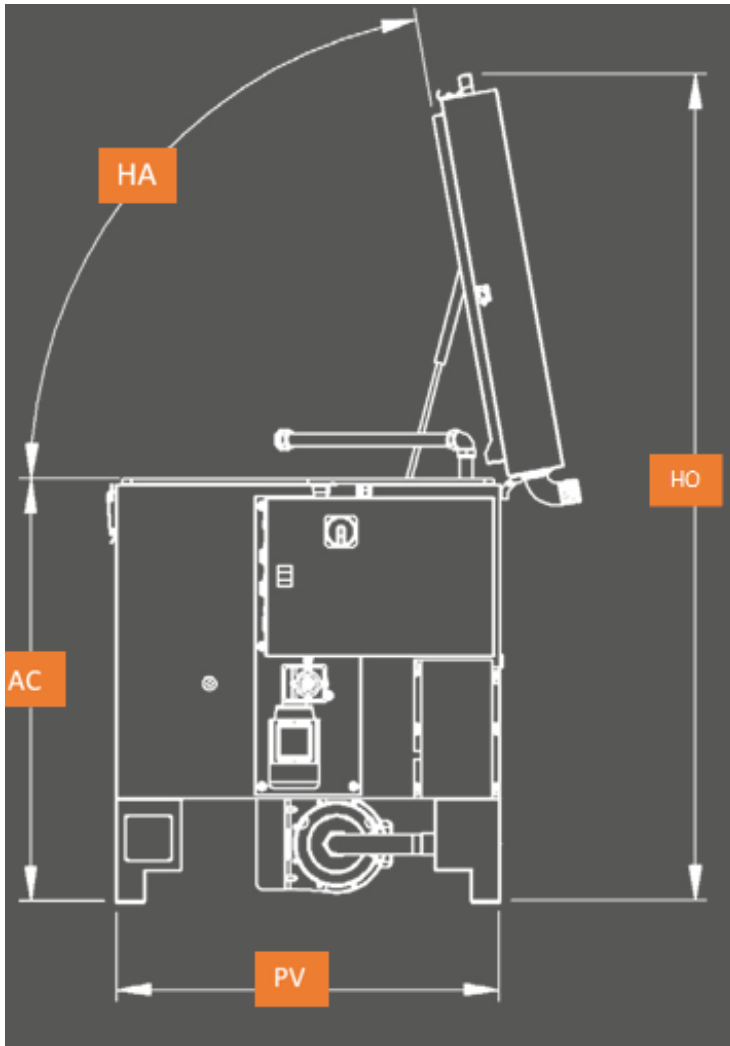
Additional accessories

- Basket in stainless steel AISI 304 [1]
- Disc oil separator [2]
- Panels under the basket with grease collecting filters [3]
- Kit for use with abrasive contaminants
- Pipes with blade-nozzle in stainless steel



You have the items - PERS GROUP have the solutions

Dimensions



		P 60	P 80
L	Width	92 cm	112 cm
PO	Depth	86 cm	105 cm
HO	Height	153 cm	185 cm
DL	Washing diameter	58 cm	78 cm
HL	Washing height	38 cm	43 cm
AC	Loading height	83 cm	92 cm
LV	Tank width	64 cm	84 cm
PV	Tank depth	64 cm	84 cm
HA	Opening angle	80°	80°
W	Weight	85 kg	96 kg
RU	dBa	75	75



Cleanline P100/120

Cleanline P100 og P120 a system for automatic washing of mechanical parts.

The washing is carried out by the action of upper, lower and side jets.

The basket rotates through a gear motor. The board is electromechanical.

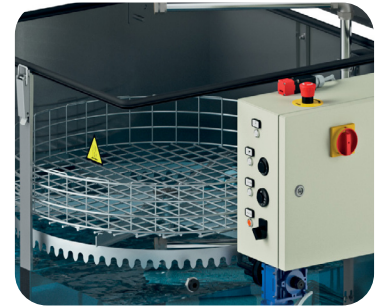
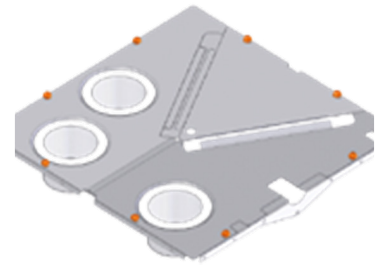
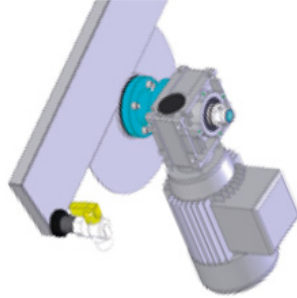
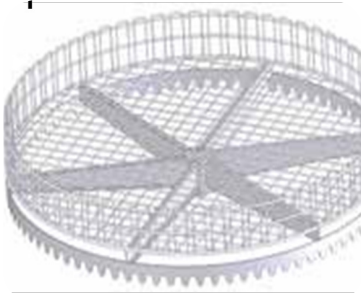
Operators can set the tank liquid temperature as well as the length of the treatment cycle.



Technical Data	P 100	P 120
Basket load capacity	200 kg	300 kg
Opened machine dimensions (LxBxH)	146 x 175 x 191 cm	166 x 206 x 211cm
Washing capacity (ØxH)	95 x 54 cm	117 x 70 cm
Tank capacity	210 L.	270 L.
Washing pump	1,5 kW 2,5 bar 200 l./min.	1,5 kW 2,5 bar 200 L./min.
Washing heating	6,0 kW	8,0 kW
Mechanical rotation	0,09 kW	0,09 kW
Oli skimmer	0,09 kW	0,09 kW
Weight	168 kg	202 kg.
Connections	3x380 V, 6 bar	3x380 V , 6 bar
Steam drain outlet	Ø 75 mm.	Ø 75 mm.



You have the items - PERS GROUP have the solutions



Equipment

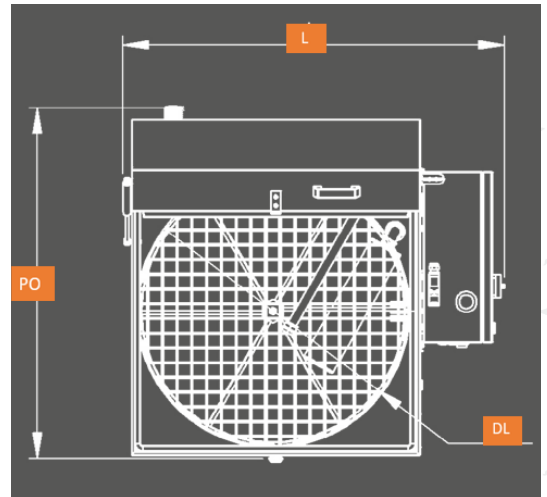
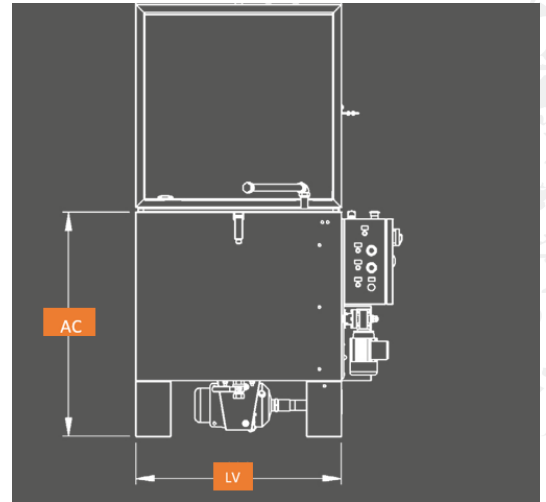
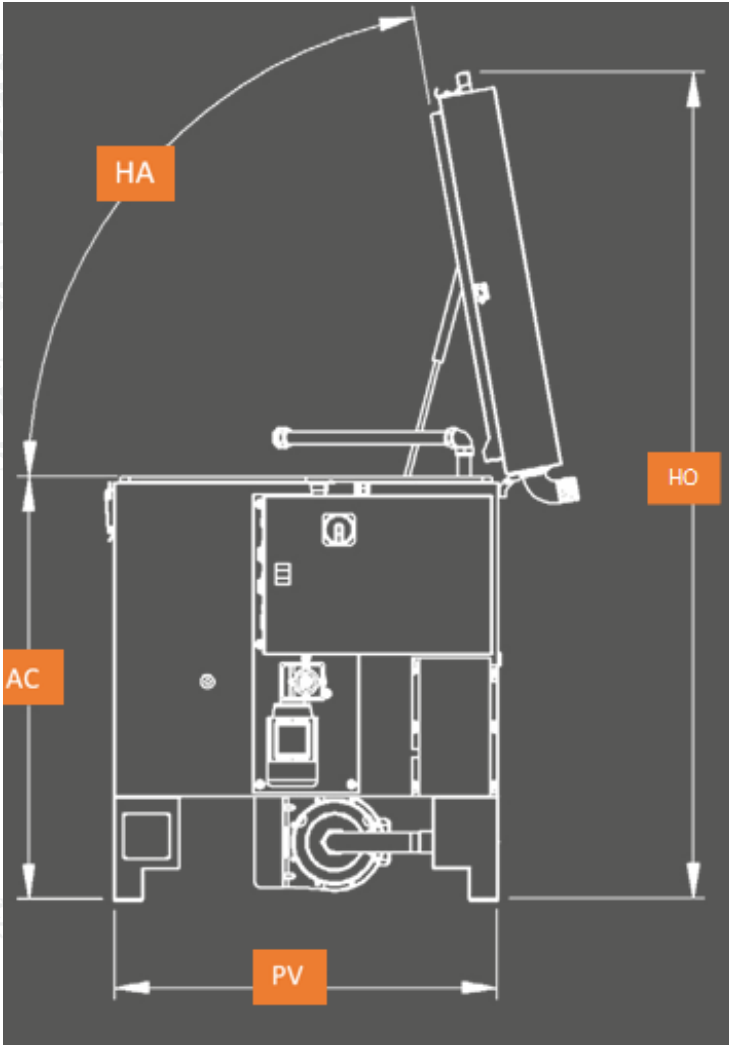
Included Cleanline P 100 and P120 machines

- Electromechanical control board
- Mechanical rotation of the basket by a gear motor
- Electric timed steam extraction
- Reinforced basket in electrowelded net with external edge of galvanized steel
- Tank minimum level control for the protection of pump and resistor
- Electric pump in stainless steel with special Gaskets
- Filter in stainless steel AISI 304 on the pump suction
- Tank edge Gasket
- Electrical box of painted metal
- Safety limit switch on the cover opening
- Structure and plates in stainless steel
- Liquid heating with electric resistor in stainless steel Incoloy
- Laser-drilled washing pipes in stainless steel (more pressure, less maintenance)
- Flexible suction and pump delivery pipes (easy maintenance)

Additional accessories

- Basket in stainless steel AISI 304 [1]
- Disc oil separator [2]
- Panels under the basket with grease collecting filters [3]
- Kit for use with abrasive contaminants
- Pipes with blade-nozzle in stainless steel

Dimensions



		P 100	P 120
L	Width	146cm	166 cm
PO	Depth	175 cm	206 cm
HO	Height	191 cm	211 cm
DL	Washing diameter	97 cm	117 cm
HL	Washing height	54 cm	54 cm
AC	Loading height	67 cm	67 cm
LV	Tank width	110 cm	130 cm
PV	Tank depth	120cm	135 cm
HA	Opening angle	60°	60°
W	Weight	168 kg	202 kg
RU	dBa	75	75



You have the items - PERS GROUP have the solutions

Cleanline T100/120

Parts washers with rotary basket, PLC and touchscreen

Cleanline is a system ideal for the automatic washing of small and medium size mechanical parts. The washing is carried out by the action of upper, lower and side jets. The slow rotation of the basket is ensured by a gear motor. A PLC and touchscreen display management enables numberless customisations thanks to a wide range of accessories.



Technical Data	T 100	T 120
Basket capacity	200 kg	300 kg
Opened machine dimensions (LxBxH)	146 x 175 x 191 cm	166 x 206 x 211cm
Washing capacity (ØxH)	95 x 54 cm	117 x 70 cm
Tank capacity	210 L.	270 L.
Washing pump	1,5 kW 2,5 bar 200 l./min.	1,5 kW 2,5 bar 200 L./min.
Washing heating	6,0 kW	8,0 kW
Mechanical rotation	0,09 kW	0,09 kW
Oli skimmer	0,09 kW	0,09 kW
Weight	168 kg	202 kg.
Connections	3x380 V, 6 bar	3x380 V, 6 bar
Steam drain outlet	Ø 75 mm.	Ø 75 mm.



Equipment

Included in Cleanline T 100 and 120

- Electric timed steam extraction
- Reinforced basket in electrowelded net with external edge of galvanized steel
- Electric pump in stainless steel AISI 304 with special Gaskets
- Filter in stainless steel AISI 304 on the pump suction
- Tank edge Gasket in EPDM
- Electrical resistor in stainless steel Incoloy
- Mechanical rotation of the basket by a gear motor
- IP 65 electric system with PLC (DGT V4)
- Structure and plates in stainless steel
- Flexible suction and pump delivery pipes
- Tank liquid minimum level control for the protection of pump and resistor
- Tank liquid maximum level control and solenoid valve for automatic water intake
- Safety limit switch on the cover opening
- Laser-drilled washing pipes in stainless steel (more pressure, less maintenance)
- Weekly programming for the activation of heating and oil separator (if installed)

HT Version offers

- Electric steam extraction
- Thermal insulation with panels in stainless steel AISI 430
- Safety limit switch with cover opening lock during the cycle
- Panels under the basket with trap filter for grease and chip collection

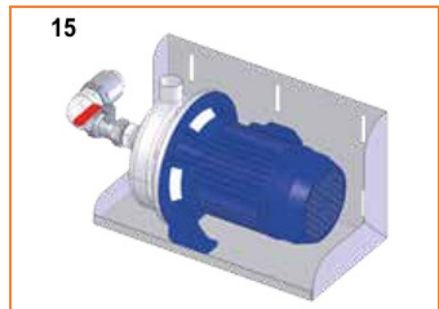
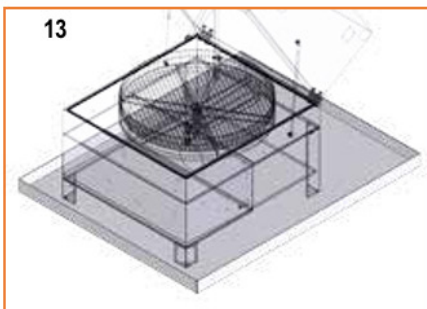
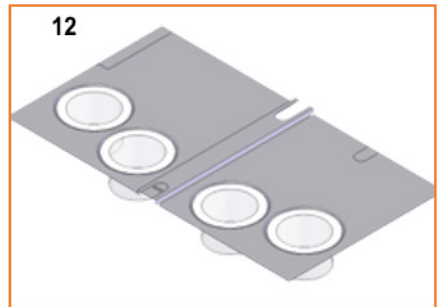
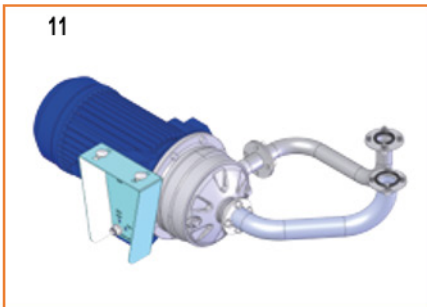
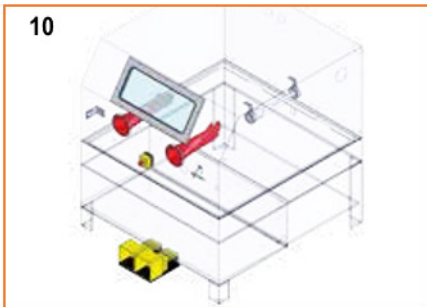
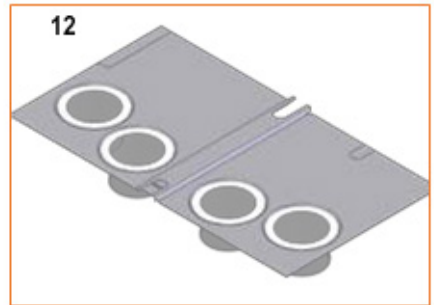
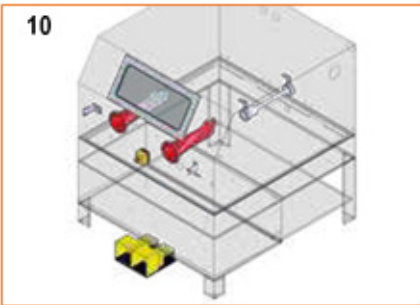
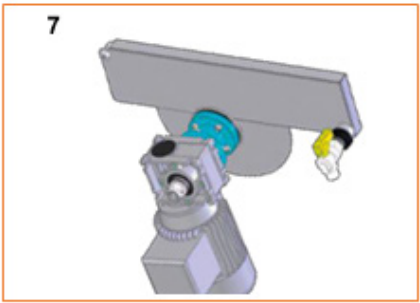
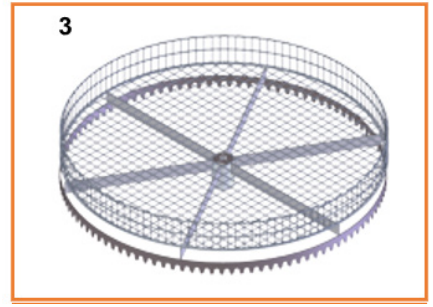
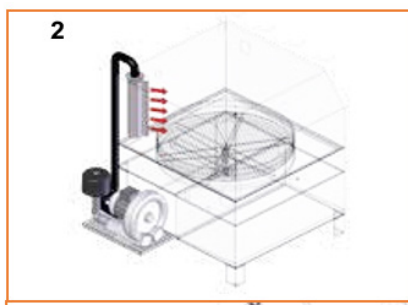
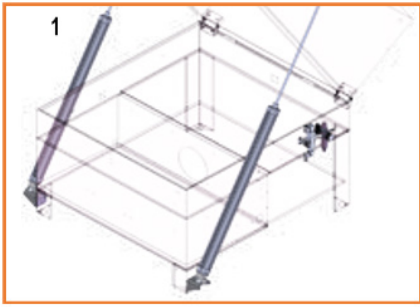


You have the items - PERS GROUP have the solutions

Additional accessories

- Pneumatic opening and closing of the cover with safety control
 - Resistor and blower drying
 - Steam extraction (patented system) [C]
 - Additional external trolley for CES
 - Basket in stainless steel AISI 304
 - Centrifugal steam condenser with wheels
 - External trolley in stainless steel AISI 304
 - Additional basket for CES
 - Thermal insulation of bag filter
 - Automatic liquid detergent dispenser during washing
 - Disc oil separator with gear motor
 - External pneumatic oil separator
 - Bag filter on the washing pump delivery pipe
 - Teflon and Viton Gaskets
 - Manual washing with pump external commands and rotation
 - Kit for use with abrasive contaminants
 - Kit for use with strongly caustic chemical products
 - High pressure washing pump
 - Panels under the basket with grease collecting filters
 - Retention tank in stainless steel
 - Compressed air blowing and independent pipes
 - Internal welding bleaching
 - Tank emptying pump
 - Pipes with blade-nozzle in stainless steel
- [A] Useful washing height is reduced by 120 mm, Stainless steel basket is compulsory if risk
- [B] Tank edge gasket excluded
- [C] Included in T-version
- [D] Steam extraction and panels under the basket





You have the items - PERS GROUP have the solutions

Cleanline U80, U100, U120 B2

2 steps automatic washer og small and medium parts

Cleanline U80,U100, U120 is a system ideal for the automatic washing of medium and large size mechanical parts. The washing is carried out by the action of upper, lower and side jets. The slow rotation of the platform is ensured by a gear motor with a torque limiter. A PLC management enables numberless customisations thanks to a wide range of accessories. The 2-bath machines (2B) have two separate tanks and carry out both washing and rinsing.



Technical Data	U80 2 B	U100 2B	U120 2B
Basket capacity	100 kg	200 kg	300 kg
Dimension opened(LxBxH)	158 x 178 x 206 cm	178 x 195 x 216cm	198 x 210 x 237 cm
Vaske kapacitet (ØxH)	78 x 54 cm	97 x 54 cm	117 x 70 cm
Tank 1 capacity	240 L.	270 L.	350 L
Tank 2 capacity	180 L.	270 L.	350 L.
Pump 1	0,55 kW 2,5 bar 200 l./min.	1,5 kW 2,5 bar 200 L./min.	1,5 kW 2,5 bar 250 L/min
Pump 2	0,55 kW 2,5 bar 200 l./min.	1,5 kW 2,5 bar 200 L./min.	1,5 kW 2,5 bar 250 L/min
Heating tank 1	8,0 kW	8,0 kW	10,0 kW
Heating tank 2	6,0 kW	8,0 kW	10,0 kW
Motor for parts rotations	0,09 kW	0,09 kW	0,09 kW
Disc Oli separator	0,09 kW	0,09 kW	0,09 kW
Compressed air blowing	105 Nmc/h @ 4 bar	130 Nmc/h @ 4 bar	150 Nmc/h @ 4 bar
Drying	4,5 kW	4,5 kW	4,5 kW
Power supply	Three-phase	Three-phase	Three-phase

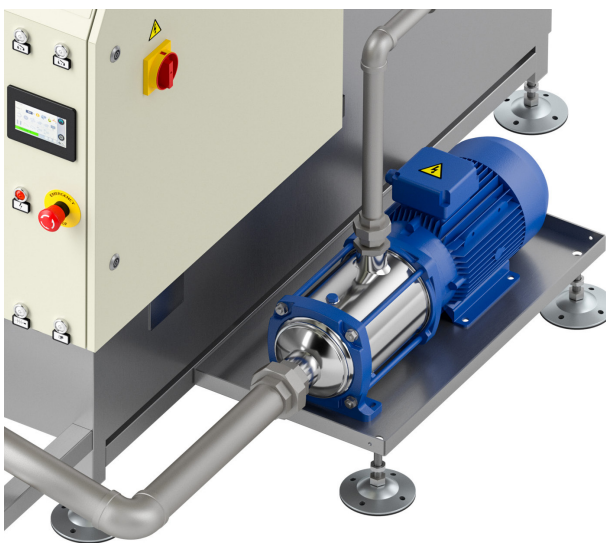
EQUIPMENT

included in Cleanline 2 step washing machines

- Timed electric exhaustion of steam
- Hatch closure assisted with gas springs and fastening hook
- Siemens® electric power parts
- 4" color touchscreen display for settings and programs
- Box filter made up of 6 Aisi 304 SS vertical filters for pre-filtration of the liquid flowing back into the tank
- Aisi 304 stainless steel filter in pump intake
- Tank border gasket
- Structure and sheet metal in contact with liquid in Aisi 304 stainless steel
- Minimum level switch
- Safety limit switch on cover opening
- Aisi 304 stainless steel electric pump with special seals
- Weekly programming to start heating and deoiler (if installed)
- IP65 electrical system, management via PLC touchscreen (DGT V4)
- Heating of the liquid with stainless steel electric heating element
- Mechanical rotation of basket via gearmotor
- Internal welding bleaching
- Tanks accessible from the outside
- Stainless steel bottom section load-bearing structure
- Aisi 304 stainless steel washing pipelines with professional stainless steel flat nozzles
- Drain valves for emptying tanks
- Manual water filling valve

HT-VERSION

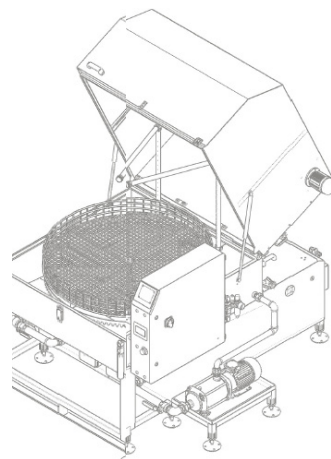
- Heat insulation with Aisi 430 stainless steel panels
- Safety limit switch with cover opening lock during cycles
- Panels under basket with grease and solids collection sump filters



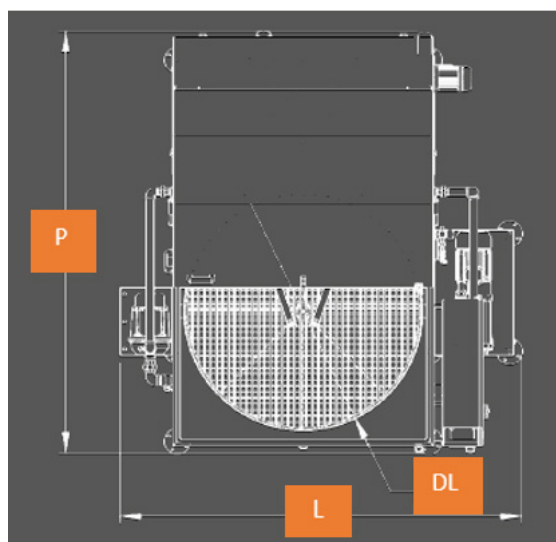
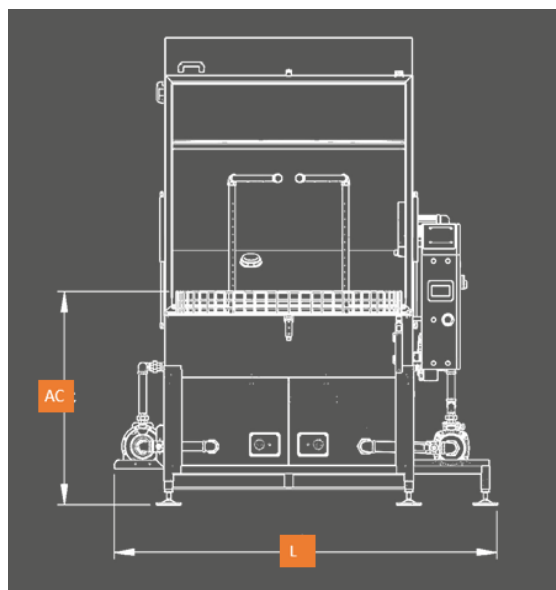
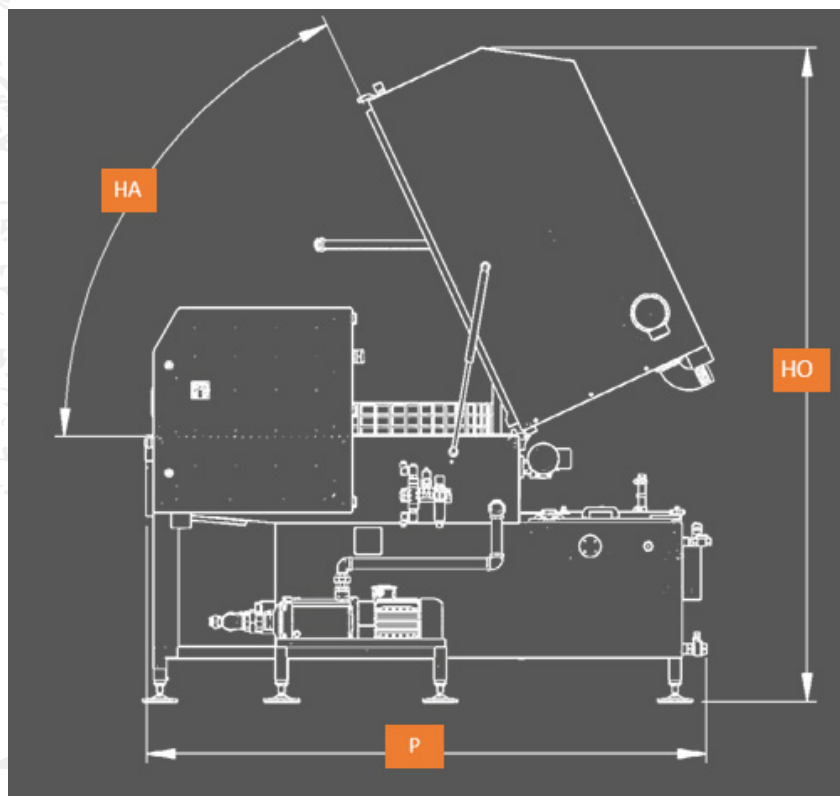
You have the items - PERS GROUP have the solutions

Additional accessories

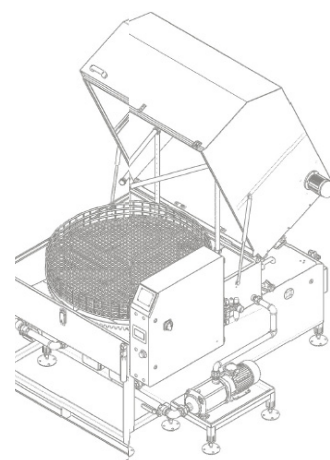
- Maximum liquid level control
- Compressed air blowing
- Hot air drying with resistor and air blade side channel blower
- Demineralizer with mixed resins and conductivity meter
- Pneumatic cover opening and closing with two-hand safety control unit
- Centrifugal steam condenser S mobile version
- Two-hands control for basket rotation with opened lid
- Stainless steel Aisi 304 external trolley with drops-catcher, wheels and safety brakes [C]
- Additional basket/platform in stainless steel
- Stainless steel Aisi 304 additional external trolley
- Automatic liquid detergent dispenser
- Disc oil separator with dedicated motorization
- External pneumatic oil separator
- Bag filter in stainless steel
- Magnetic spark plug for bag filter for ferrite powder
- Idle lower rotating group in stainless steel
- Idle upper rotating group in stainless steel [C]
- Device for remote connection and remote support for HMI Weintek
- Kit for Industry 4.0 for HMI Weintek
- Manual washing and blowing with hoses and washing nozzle
- 80 bar manual washing and blowing with hoses and washing nozzle (both for LT or for HT available)
- Kit for use with abrasive contaminants in the washing liquid
- Stainless steel fittings and valves kit (for parts that are in contact with liquids)
- PLC Siemens® S7 1200 - HMI touchscreen Weintek
- High pressure washing pump
- High pressure rinsing pump
- Circulating pump from tank 2 (most clean) to tank 1 (most contaminated)
- Stainless steel Aisi 304 retention tank with drip-catcher
- Upper ramp fastened to the cover
- Rinsing by water supply and direct drain outlet
- Nebulized rinse from water mains, draining into the washing tank
- Tanks emptying pump (2)
- Signal tower for indicating system status
- Pipes with blade-nozzle in stainless steel 1/8"
- Workpieces positioning /clamping pallet



Dimensions








		U 80 2B	U 100 2 B	U 120 2B
L	Width	158 cmm	178 cm	198 cm
P	Depht	178 cm	195 cm	210 cm
HO	Height	206 cm	216 cm	237 cm
DL	Working diameter	78 cm	97 cm	117 cm
HL	Washing height	54 cm	54 cm	70 cm
AC	Loading height	93 cm	93 cm	93 cm
HA	Opening angle	60°	60°	60°
W	Weight	300 kg	400 kg	500 kg
RU	dBa	75	75	



You have the items - PERS GROUP have the solutions



	Application	Product	Benefit
	All round powder for degreasing of steel and aluminium parts.	Teka Clean 20 Concentrated Alkaline powder for spray and dipping process Dosage: 3-5 % Working temperature: 50-80 °C pH:(3%):12,6	Degreasing for iron, steel, aluminum as well as light metals, red metals and plastics.
	Strongly alkaline powder for spray and dipping and ultrasonic paint removing on steel and iron parts.	Teka Clean 30 Alkaline Powder Dosage:3-5 % Working temperature. 60-80 °C pH:(3%):12,8	Degreasing for iron, steel, aluminum as well as light metals, red metals and plastics.
	Strongly alkaline powder for spray and dipping and ultrasonic paint removing on steel and iron parts	Teka Clean 96 Alkaline Powder Dosage :3-5 % Working temperature. 60-80 °C. pH:(3%):12,8	Fully biodegradable. Low foaming and corrosion stable. Oil separating.
	Degreasing Used for all metals	Teka Clean 320K Neutral Liquid Dosage :3-5 % pH :(3%):8,1	Med temporær korrosjonsbeskyttelse. Fully biodegradable. Low foam: Spray and high pressure Quick-separating.
	Liquid degreasing.	Teka Clean 385 Alkaline Dosage: 3-5 % Working temperaturer: 60-80 C pH:(3%):11,8	The product is suitable for degreasing of stainless steel, where heavily greased items are effectively cleaned.
	Liquid degreasing.	Teka Clean 387K, Alkaline Dosage:3-5 % Corrosionsgrad = 0. Working temperature: 45-85 °C pH:(3%):12,1	Environmentally friendly. Extremely good corrosion protection. It is extremely suitable for degreasing of iron and steel, where oil and grease are effectively removed.
	Universal liquid degreaser for iron, steel and stainless steel alloys. Used in Spray degreasing, dipping and ultrasonic process.	Teka Clean 387 K24 Alkaline Dosage:3-5 % Working teperature: 40-65 °C. pH :(3%):11,7	For demanding final degreasing tasks after polishing.



You have the items - PERS GROUP have the solutions



You have the items We have the solutions



*Our location
and
test center*

If you have any questions, please contact our customer support departement

CCO

Hans Wolf
+45 2783 9483
hans@pers-group.com

Jylland

Head office
+45 7582 6633
info@pers-group.com

Testcenter

Torben Pers
+45 2819 2875
torben@pers-group.com