

**TEJO**<sup>®</sup>

**Top Lukkede Maskiner**



**PERS**

**Kemi og Maskinløsninger**

# TEJO®

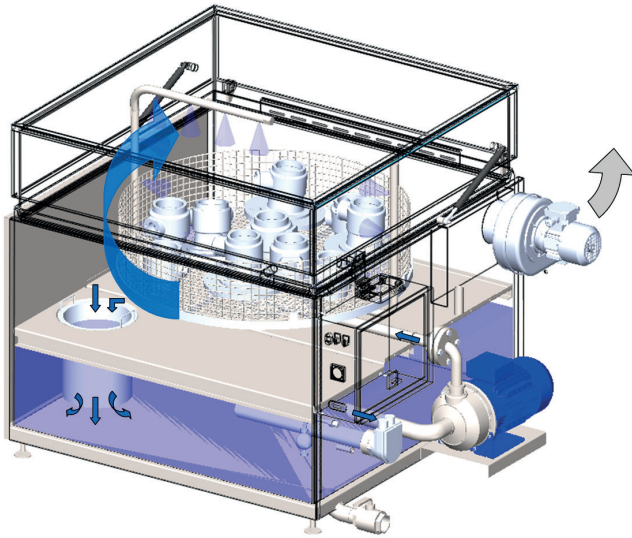


## TOP-LOADING COMPONENT CLEANING MACHINES TL-650SS...TL-1150SS

For efficient cleaning



Du har emnerne - PERS GROUP har kemi og maskinløsningerne



## Why water-based cleaning?

Due to high speed and efficiency requirements as well as tightened environmental regulations, it is advisable to move from solvent cleaning to safer, water-based cleaning methods. An efficient, economical method is alkaline cleaning with a TEIJO cleaning machine.

## Component cleaning machines

In TEIJO cleaning machines, the selected cleaning cycle is carried out automatically.

### PARTS OF THE MACHINE:

- CLEANING CHAMBER
- ROTARY SPRAY PIPING
- PUMP
- HEATING SYSTEM
- FILTER SYSTEM
- FLUID LEVEL MONITORING
- CLEANING TABLE AND LOAD BASKET
- ELECTRICAL CONTROL BOX WITH OPERATING SWITCHES
- ADJUSTABLE THERMOSTAT CONTROLLED TEMPERATURE CONTROL

## Closed fluid circulation

In TEIJO cleaning machines, the washing fluid (water and 1–5% alkaline detergent) circulates in a closed system, and is filtered and reused. The maximum temperature of the washing fluid is 80 °C. The service life of the fluid varies depending on the application. It is affected by the utilisation rate of the cleaning machine and the dirtiness of the components cleaned, particularly the oil coming off into the fluid.

## Applications

This machine type is suitable for cleaning components at, for example:

- CAR AND LORRY REPAIR SHOPS
- ENGINE MACHINING SHOPS
- CAR ELECTRICS REPAIR SHOPS
- VOCATIONAL INSTITUTIONS
- INDUSTRIAL REPAIR SHOPS

In industrial production of machine workshops, these machines are used for:

- CLEANING COMPONENTS BEFORE WELDING
- REMOVING ANTI-RUST AGENTS BEFORE MACHINING
- CLEANING MACHINED PARTS AND COMPONENTS
- MAINTENANCE (CLEANING NEEDS)

## Why TEIJO®?

- EXCELLENT CLEANING RESULTS
- CLEANING IN A CLOSED CHAMBER
- ROTARY SPRAY PIPING
- LARGE FLUID TANK
- SHORT HEATING TIME
- LOADING HEIGHT ONLY 780 MM
- RELIABLE AND EASY-TO-USE
- ALMOST MAINTENANCE-FREE

## TEIJO® - economical

- EFFICIENT FILTERING EXTENDS THE SERVICE LIFE OF THE WASHING FLUID.
- GOOD INSULATION REDUCES HEAT LOSS.
- DETERGENT COSTS ARE LOW.

## TEIJO® - safe and eco-friendly

- THE CLOSED CIRCULATION OF WASHING FLUID IS SAFE AND ENVIRONMENTALLY-FRIENDLY.
- THE CLOSED CLEANING CHAMBER AND EFFICIENT VAPOUR REMOVAL (OPTIONAL) PREVENT VAPOUR FROM ENTERING THE WORK ENVIRONMENT.
- MOST ALKALINE DETERGENTS ARE BIODEGRADABLE.
- THE OIL COMING OFF THE COMPONENTS CLEANED CAN BE SEPARATED FROM THE WASHING FLUID USING AN OIL SEPARATOR (OPTIONAL).
- ELECTRONIC SAFETY LOCKING OF THE LID DURING CLEANING.

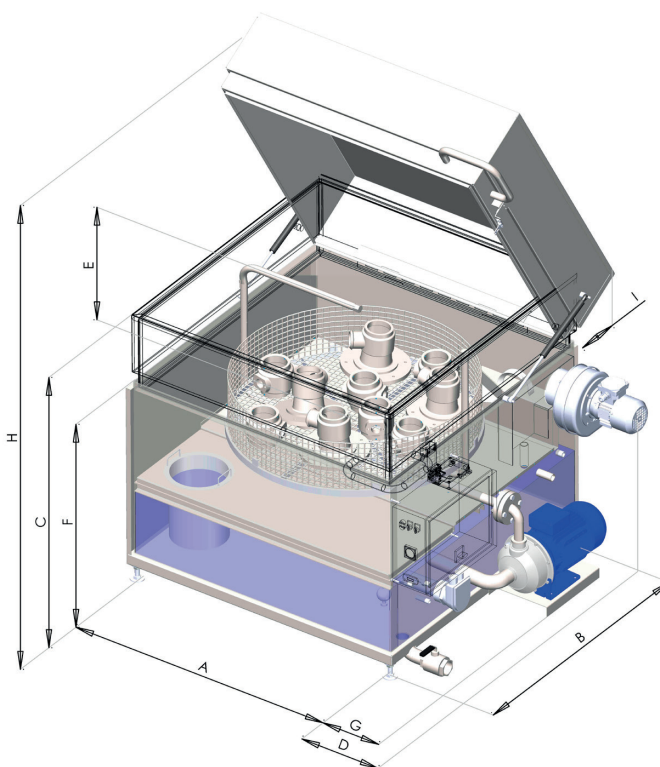
## Machine sizes

Top-loading machines are manufactured in three sizes, TL-650SS, TL-900SS and TL-1150SS.

They are made of stainless steel.

## TEIJO® - product range

The TEIJO product range also includes single- and multi-stage cleaning machines as well as tunnel and special cleaning machines.



### MAIN DIMENSIONS mm

		TL-650SS	TL-900SS	TL-1150SS
Width	A	900	1100	1350
Depth	B	900	1100	1350
Height	C	1070	1070	1070
Rotation diameter		650	900	1150
Load basket diameter		630	850	-
Width	D	340	340	340
Cleaning height	E	430	430	430
Working height	F	780	780	780
Width	G	280	280	280
Height	H	1985	2010	2150
Depth	I	235	225	235

### TECHNICAL DATA

		TL-650SS	TL-900SS	TL-1150SS
Connection power	kW	8	11	11
Fuse rating		3 x 16 A	3 x 25 A	3 x 25 A
Heating capacity	kW	6	9	9
Tank volume	l	200	350	550
Pump, capacity	l/min	200	230	250
Pump, pressure	bar	2,5	2,3	2,5
Pump, motor	kW	2,2	2,2	2,2
Load	kg	150	150	150
Machine weight	kg	230	270	400
Filter, separation	micron	630	630	630
Insulation	mm	15	15	15
Noise level	dBA	70	70	70

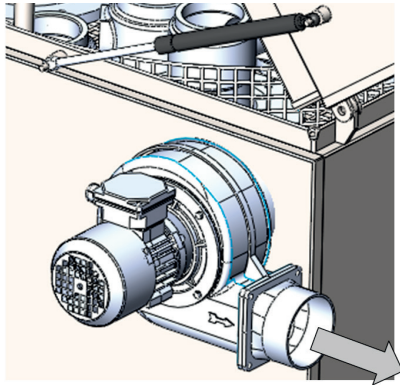




# COMPONENT CLEANING MACHINES | ACCESSORIES

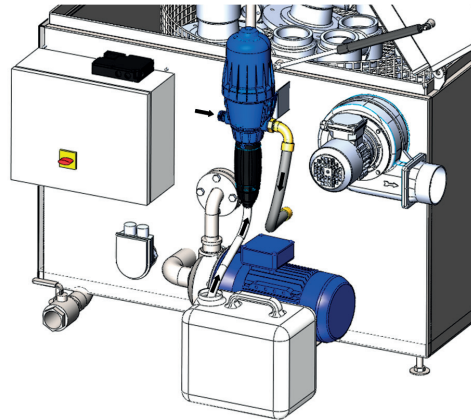
## Steam extractor DF-1 and adapter DF0-110

The steam extractor fan starts automatically after the cleaning cycle, removing the steam from the machine into the outside air.



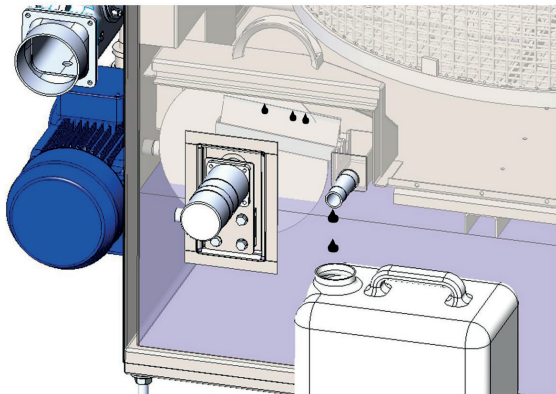
## Detergent dispenser AD-2

The liquid detergent dispenser together with automatic refilling AR-1 helps to maintain the desired mixture ratio of the cleaning fluid.



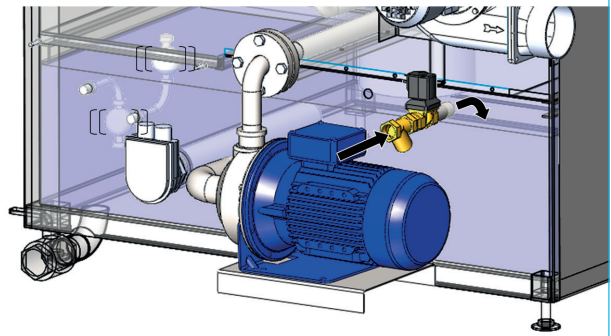
## Oil separator TEIJO OS-3B

Controlled by a weekly timer, the oil separator disc removes the oil separated on the liquid surface while the cleaning machine is off. The oil separator extends the service life of the washing fluid and ensures good cleaning results.



## Automatic refilling AR-1

Automatic water refilling maintains the level of the fluid in the tank on a desired level.





Du har emnerne - PERS GROUP har kemi og maskinløsningerne

# Vandbaseret affedtning, industri



## Teka Clean 20

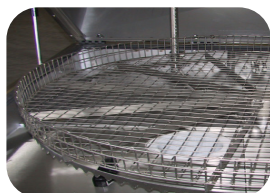
Alsidig alkalisk affedtningsmiddel, som ved dets sammensætning tilgodeser affedtningsproblemer, der opstår i forbindelse med blandet produktion. Til jern, stål, aluminium samt let metaller, rød metaller og kunststoffer. Rigtig gode smudsløsende og smuds bærende egenskaber. Temperatur 50-80 grader.

**pH-værdi:(3%):12,6**

## Teka Clean 30

Alsidig mild alkalisk affedtningsmiddel, som ved dets sammensætning tilgodeser affedtningsproblemer, der opstår i forbindelse med blandet produktion. Til jern, stål, aluminium samt let metaller, rød metaller og kunststoffer. Rigtig gode smudsløsende og smuds bærende egenskaber. Temperatur 50-80 grader.

**pH-værdi:(3%):11,2**



## Teka Clean 96

Stærkt alkalisk pulver til spule-, dyppe- og ultralyds aflakering af jern og stål. Fortrinlige smudsløsende og smudsbærende egenskaber. Fuldt biologisk nedbrydeligt.

Lavtskummende og korrosions stabil. Olieseparerende. Arbejds temperatur 60-80 grader.

**pH-værdi:(3%):12,8**

## Teka Clean 320K

Flydende, netneutral affedtningsmiddel med temporær korrosionsbeskyttelse.

Velegnet til alle metaltyper, hvis styrke specielt fremtræder i forbindelse med krævende og alligvel skånsom mellemaffedtning af forædlede emner. Produktet er biologisk nedbrydeligt, lavtskummende og specielt velegnet til spule- og højtryksanlæg. **Hurtigseparerende.**

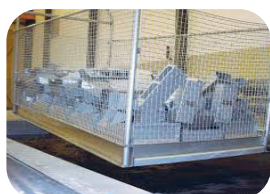
**pH-værdi:(3%):8,1**



## Teka Clean 385

Flydende alkalisk affedtningsmiddel. Produktet er velegnet til blandt andet affedtning af Rustfrit Stål, hvor kraftig indfedtede emner renses effektivt. Arbejdstemperatur: 60-80 °C.

**pH-værdi:(3 %):11,8**



## Teka Clean 387K,

Flydende, miljørigtig affedtningsmiddel med særdeles god korrosionsbeskyttelse. Det er særdeles velegnet til affedtning af jern og stål, hvor olie og fedt fjernes effektivt.

**Korrosionsgrad = 0. Arbejdstemp. 45-85 °C Hurtigseparerende.**

**pH-værdi:(3 %):12,1**

## Teka Clean 387 K24

Universal, basisk, flydende affedtningsmiddel til jern, stål og rustfri stållegeringer, primært til krævende slutaffedtnings opgaver efter polering eller optræk. Anvendes i spuleaffedtning, dyppe og ultralydsproces. Arbejdstemp. 40-65 °C.

**pH-værdi:(3%):11,7**



## Teka Clean 400

Flydende let alkalisk special rengøring - og metal affedtning der effektivt fjerner fedt og olie. Efterlader ingen vandpletter efter vask v/40-75 °C.

**pH-værdi:(3%):9,0**

## Teka Clean 600

Surt affedtningsmiddel til opløsning af såvel fedt og olie samt overfladerust på metalliske overflader. Anvendes i dyppe som ultralydskar og maskiner. Anvendes fortyndet med vand op til 1:20 afhængig af renses effekten.

**pH-værdi:(konc.):5,4**



# Du har emnerne som skal afgrates. *Vi har løsningerne!*

KEEP IT  
SIMPLE

***Kom med dine emner  
til vores Test-center.***

I fællesskab finder vi den rette  
brugbare løsning til opgaven.



*Har du spørgsmål er du velkommen til at kontakte vores industri konsulenter*

## **Testcenter**

Torben Pers  
+45 2819 2875  
torben@pers-group.com

## **Jylland**

Kontakt Hovedkontret  
+45 7582 6633  
info@pers-group.com

## **Sjælland & Fyn**

Muharrem Basaran  
+45 2819 2871  
muharrem@pers-group.com

## **Sales Manager**

Jens Brietzke  
+45 2819 2874  
jens@pers-group.com